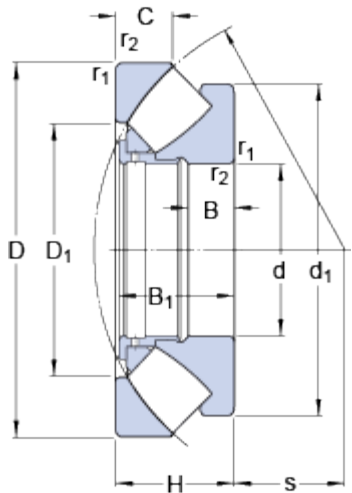


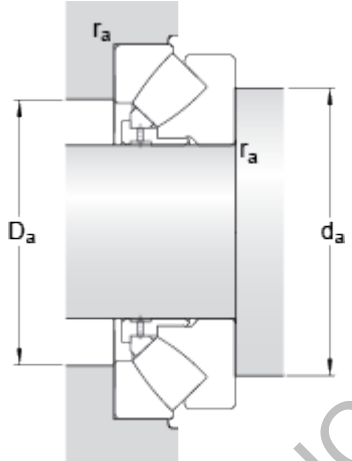
29260

Dimensions



d	300	mm
D	420	mm
H	73	mm
d <sub>1</sub>	≈ 405	mm
D <sub>1</sub>	≈ 353	mm
B	21	mm
B <sub>1</sub>	69	mm
C	38	mm
s	162	mm
r <sub>1,2</sub>	min. 3	mm

Abutment dimensions



d <sub>a</sub>	min. 360	mm
D <sub>a</sub>	max. 380	mm
r <sub>a</sub>	max. 2.5	mm

Calculation data

Basic dynamic load rating	C	1070	kN
Basic static load rating	C <sub>0</sub>	4800	kN
Fatigue load limit	P <sub>u</sub>	465	kN
Reference speed		900	r/min
Limiting speed		1400	r/min
Minimum axial load factor	A	2.2	

Mass

Mass bearing		30.5	kg
--------------	--	------	----